



HUANRUI

北京环瑞商贸有限公司

BEIJING HUANRUI Co., Ltd

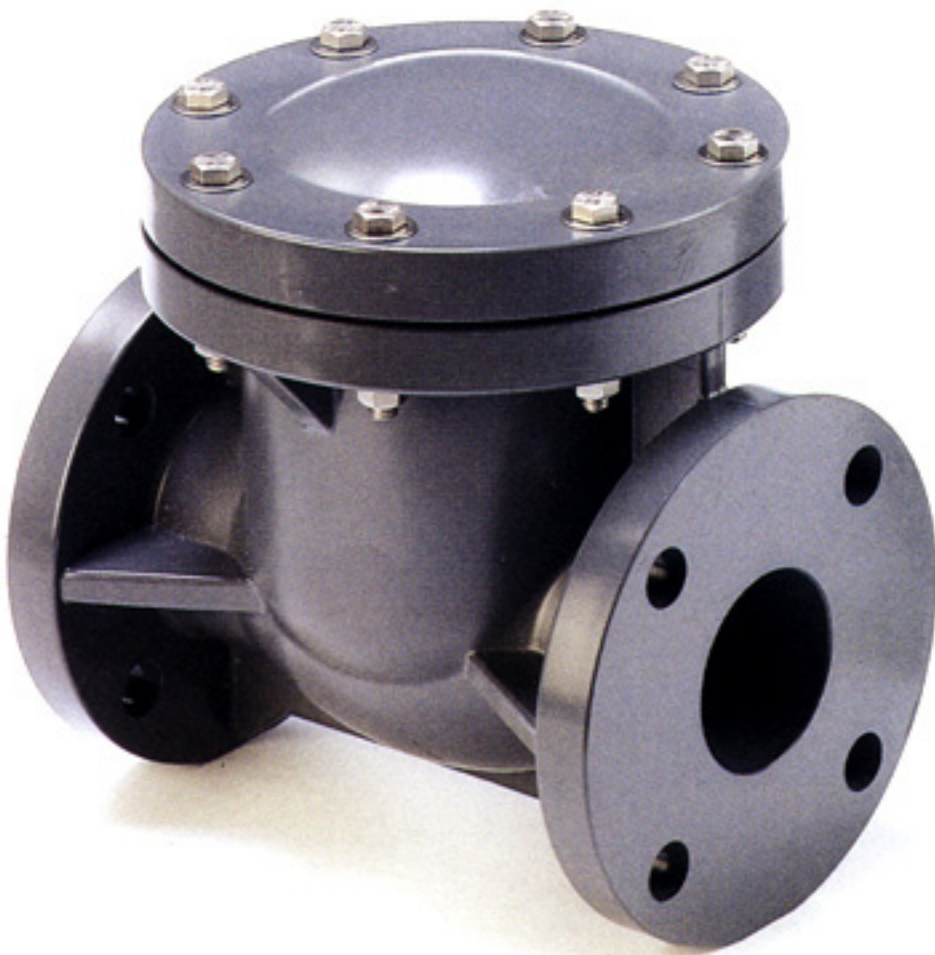
VP-450 工業用擺動式逆止閥

Swing Check Valve

- Minimum flow pressure: 2 PSI
- Install vertically or horizontally with flow direction arrow indication
- Easy to clean with top bonnet removing
- Less on-line down time for cleaning / maintenance
- Filter must be set in front of the valve to avoid blocking

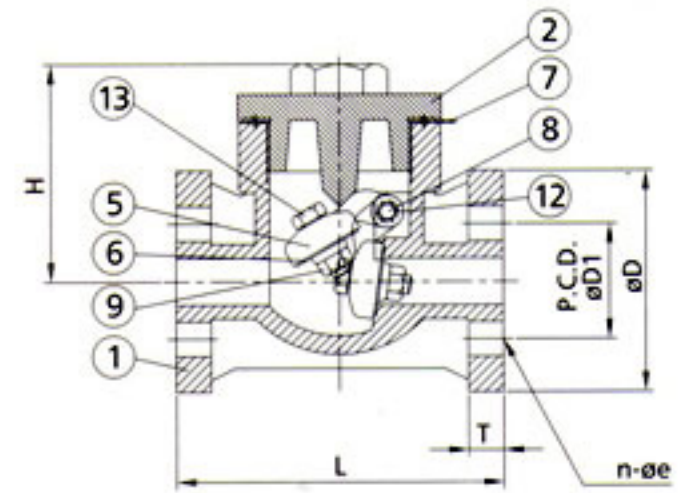
- 最低開啓壓力：2 PSI
- 依流向箭頭指示水平或垂直安裝
- 可直接清理閥體，無須自管路拆除
- 前端管路建議安裝過濾器，以防閥門被阻塞

| Type 品號 | Size 尺寸 | Standard 規格 | Material 材質 | Gasket 墊片 | End type 接口 |
|------------|------------|----------------|----------------|----------------|----------------|
| VP-450 | 1/2"~8" | ANSI, JIS, DIN | PVC | EPDM, FPM, NBR | Flanged |
| VP-451 | 1/2"~8" | ANSI, JIS, DIN | CPVC | EPDM, FPM, NBR | Flanged |
| VP-453 | 1/2"~8" | ANSI, JIS, DIN | PVDF | EPDM, FPM, NBR | Flanged |
| VP-454 | 1/2"~8" | ANSI, JIS, DIN | PP | EPDM, FPM, NBR | Flanged |

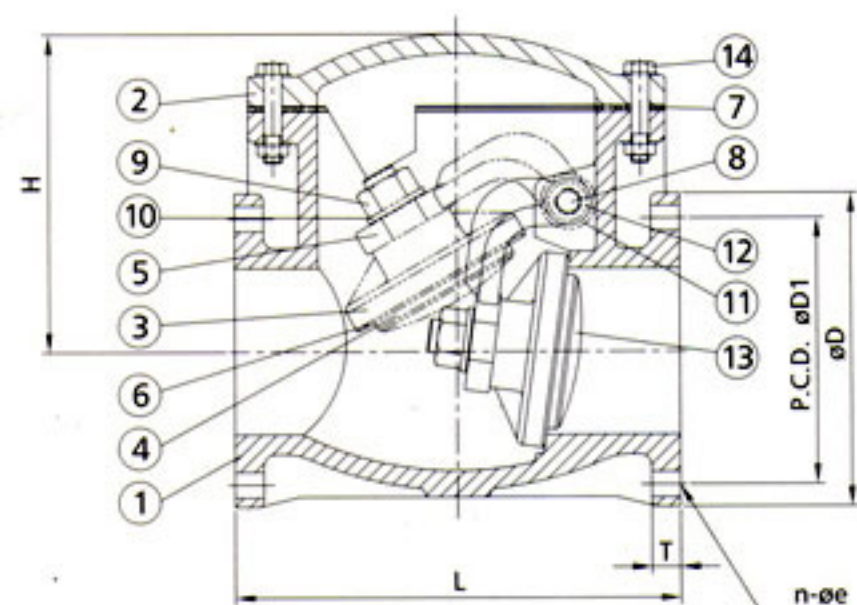


| Nom. | SIZE | 15mm (1/2") | 20mm (3/4") | 25mm (1") | 32mm (1-1/4") | 40mm (1-1/2") | 50mm (2") | 65mm (2-1/2") | 80mm (3") | 100mm (4") | 150mm (6") | 200mm (8") |
|------|------|----------------|----------------|--------------|------------------|------------------|--------------|------------------|--------------|---------------|---------------|---------------|
| n-øe | JIS | 4-ø15 | 4-ø15 | 4-ø19 | 4-ø19 | 4-ø19 | 4-ø19 | 4-ø19 | 8-ø19 | 8-ø19 | 8-ø23 | 8-ø23 |
| | ANSI | 4-ø16 | 4-ø16 | 4-ø16 | 4-ø16 | 4-ø16 | 4-ø19 | 4-ø19 | 4-ø19 | 8-ø19 | 8-ø22 | 8-ø22 |
| | DIN | 4-ø14 | 4-ø14 | 4-ø18 | 4-ø18 | 4-ø18 | 4-ø18 | 4-ø18 | 4-ø18 | 8-ø18 | 8-ø23 | 8-ø23 |
| L | JIS | 140 | 140 | 160 | 160 | 180 | 200 | 240 | 260 | 300 | 400 | 500 |
| | ANSI | 140 | 140 | 160 | 160 | 180 | 200 | 240 | 260 | 300 | 400 | 500 |
| | DIN | 140 | 140 | 160 | 160 | 180 | 200 | 240 | 260 | 300 | 400 | 500 |
| D | JIS | 100 | 100 | 125 | 125 | 140 | 155 | 175 | 185 | 210 | 285 | 330 |
| | ANSI | 100 | 100 | 108 | 108 | 127 | 152 | 178 | 191 | 229 | 285 | 343 |
| | DIN | 100 | 100 | 115 | 115 | 150 | 165 | 185 | 200 | 220 | 285 | 343 |
| D1 | JIS | 70 | 75 | 90 | 100 | 105 | 120 | 140 | 150 | 175 | 240 | 290 |
| | ANSI | 60 | 70 | 79 | 88.9 | 98 | 121 | 140 | 152 | 191 | 241 | 298 |
| | DIN | 65 | 75 | 85 | 100 | 110 | 125 | 145 | 160 | 180 | 240 | 295 |
| T | | 15 | 15 | 17 | 17 | 19 | 20 | 22 | 22 | 24 | 26 | 30 |
| H | | 93 | 93 | 117.5 | 117.5 | 136 | 166 | 170.5 | 170 | 216 | 286 | 336 |

| NO. | PART | MATERIAL | QTY |
|-----|--------------|---------------------|------|
| 1 | BODY | PVC, CPVC, PP, PVDF | 1 |
| 2 | BONNET | PVC, CPVC, PP, PVDF | 1 |
| 3 | DISC | PVC, CPVC, PP, PVDF | 1 |
| 4 | DISC HOLDER | PVC, CPVC, PP, PVDF | 1 |
| 5 | SWAY ARM | PVC, CPVC, PP, PVDF | 1 |
| 6 | DISK GASKET | EPDM, NBR, FPM | 1 |
| 7 | GASKET | EPDM, NBR, FPM | 1 |
| 8 | SHAFT | PVC, CPVC, PP, PVDF | 1 |
| 9 | DISK NUT | PVC, CPVC, PP, PVDF | 1 |
| 10 | DISK WASHER | PVC, CPVC, PP, PVDF | 1 |
| 11 | SHEET GASKET | EPDM, NBR, FPM | 1 |
| 12 | SHEET BOLT | PVC, CPVC, PP, PVDF | 1 |
| 13 | DISC BOLT | PVC, CPVC, PP, PVDF | 4 |
| 14 | BOLT SETS | STEEL, SUS 304 | 8-12 |



1/2" & 3/4"



1/2" & 3/4"