



北京环瑞商贸有限公司

BEIJING HUANRUI Co., Ltd

VP-250 .260. 270 盲法蘭 / 單片 / 二片式法蘭 Blind Flanges / One-piece (TS) Flanges /

● Specification: JIS 10K / ANSI 150 LBS / DIN PN10

● 規格：JIS / ANSI / DIN

| Type 品號 | Size 尺寸 | Standard 規格 | Material 材質 | End type 接口 |
|------------|------------|----------------|----------------|----------------------------|
| VP-250 | 1/2"~12" | ANSI, JIS, DIN | PVC | Flanged |
| VP-251 | 1/2"~12" | ANSI, JIS, DIN | CPVC | Flanged |
| VP-260 | 1/2"~12" | ANSI, JIS, DIN | PVC | Socket, Threaded / Flanged |
| VP-261 | 1/2"~12" | ANSI, JIS, DIN | CPVC | Socket, Threaded / Flanged |
| VP-270 | 2"~16" | ANSI | PVC | Socket, Threaded / Flanged |
| VP-271 | 2"~16" | ANSI | CPVC | Socket, Threaded / Flanged |

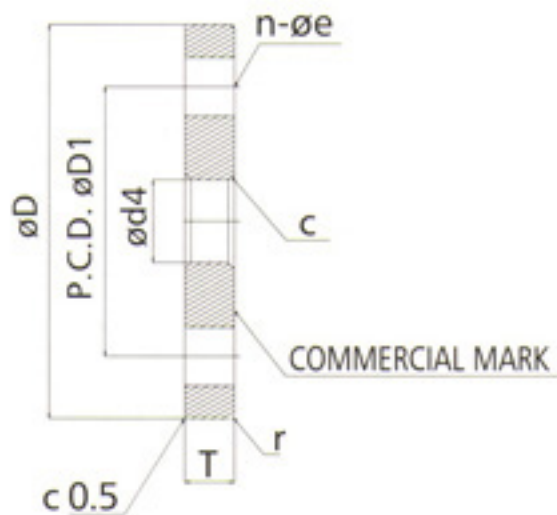


Two-piece (Van Stone) Flanges

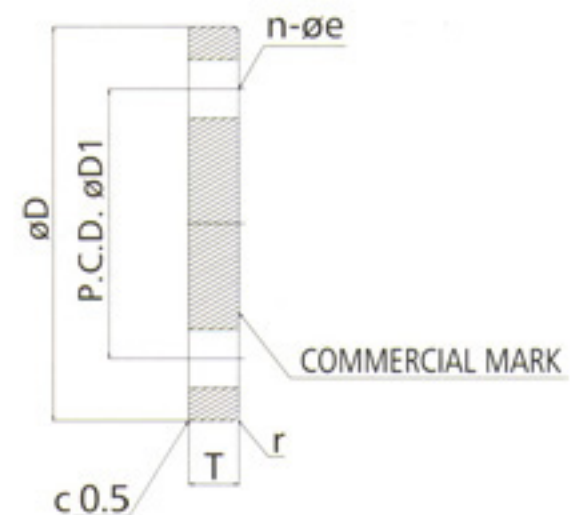
DIN PN-10 FLANGE

| Nom. | SIZE | 15mm (1/2") | 20mm (3/4") | 25mm (1") | 32mm (1-1/4") | 40mm (1-1/2") | 50mm (2") | 65mm (2-1/2") | 80mm (3") | 100mm (4") | 125mm (5") | 150mm (6") |
|-----------|------|----------------|----------------|--------------|------------------|------------------|--------------|------------------|--------------|---------------|---------------|---------------|
| D | | 95 | 105 | 115 | 140 | 150 | 165 | 185 | 200 | 220 | 250 | 285 |
| P.C.D. D1 | | 65 | 75 | 85 | 100 | 110 | 125 | 145 | 160 | 180 | 210 | 240 |
| D2 | | 27 | 33 | 41 | 50 | 61 | 76 | 90 | 108 | 131 | 165 | 188 |
| D3 | | 35 | 44 | 52 | 56 | 66 | 84 | 105 | 118 | 140 | 132 | 152 |
| d1 | | 16 | 21 | 28 | 36 | 45 | 57 | 69 | 82 | 102 | 132 | 152 |
| d2 | | 20.3 | 25.3 | 32.3 | 40.3 | 50.3 | 63.3 | 75.3 | 90.3 | 110.4 | 140.5 | 160.5 |
| d3 | | 20.1 | 25.1 | 32.1 | 40.1 | 50.1 | 63.1 | 75.1 | 90.1 | 110.1 | 140.2 | 160.2 |
| d4 | | 20 | 25 | 32 | 40 | 50 | 63 | 75 | 90 | 110 | 140 | 160 |
| h | | 16 | 19 | 22 | 26 | 31 | 38 | 44 | 51 | 61 | 76 | 86 |
| h1 | | 15 | 16.3 | 19 | 21.4 | 21.4 | 26 | 28 | 30 | 33 | | |
| L | | 19 | 22 | 25 | 29 | 34 | 41 | 47 | 56 | 66 | 81 | 91 |
| L1 | | 19 | 22 | 22 | 23 | 23 | 26 | 28 | 30 | 33 | | |
| T | | 12 | 14 | 14 | 14 | 16 | 16 | 16 | 18 | 18 | 18 | 21 |
| n-øe | | 4-ø14 | 4-ø14 | 4-ø14 | 4-ø18 | 4-ø18 | 4-ø18 | 4-ø18 | 8-ø18 | 8-ø18 | 8-ø18 | 8-ø18 |
| N | | R1/2" | R3/4" | R1" | R1-1/4" | R1-1/2" | R2" | R2-1/2" | R3" | R4" | | |
| r | | r1.5 | r1.5 | r1.5 | r1.5 | r1.5 | r1.5 | r1.5 | r1.5 | r1.5 | r1.5 | r1.5 |
| c | | 1.5x45° | 1.5x45° | 1.5x45° | 1.5x45° | 1.5x45° | 1.5x45° | 1.5x45° | 1.5x45° | 1.5x45° | 1.5x45° | 1.5x45° |

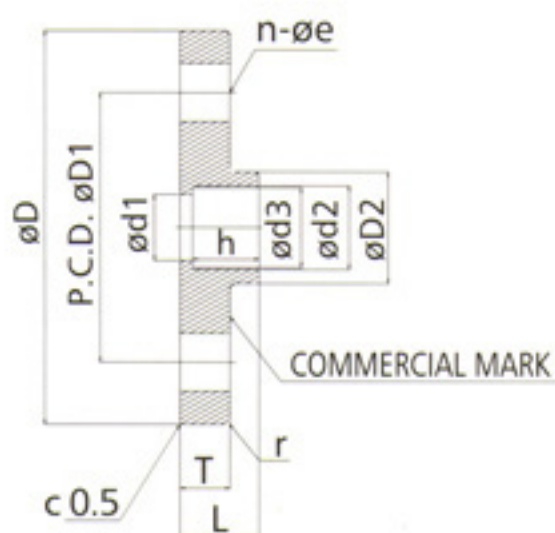
DIN PN-10 Backing Rings FLANGE



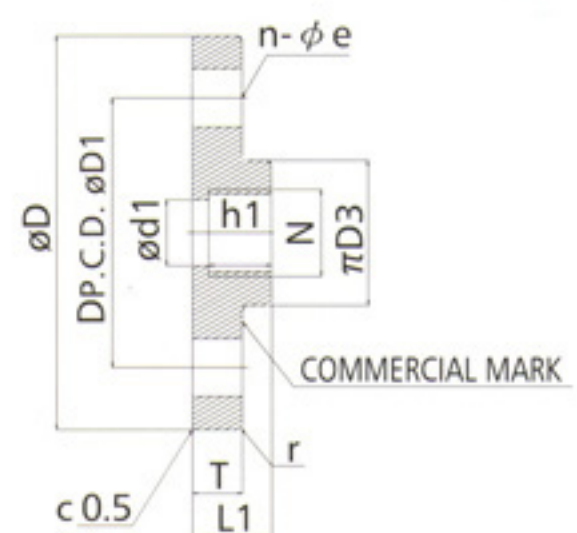
Blind FLANGE



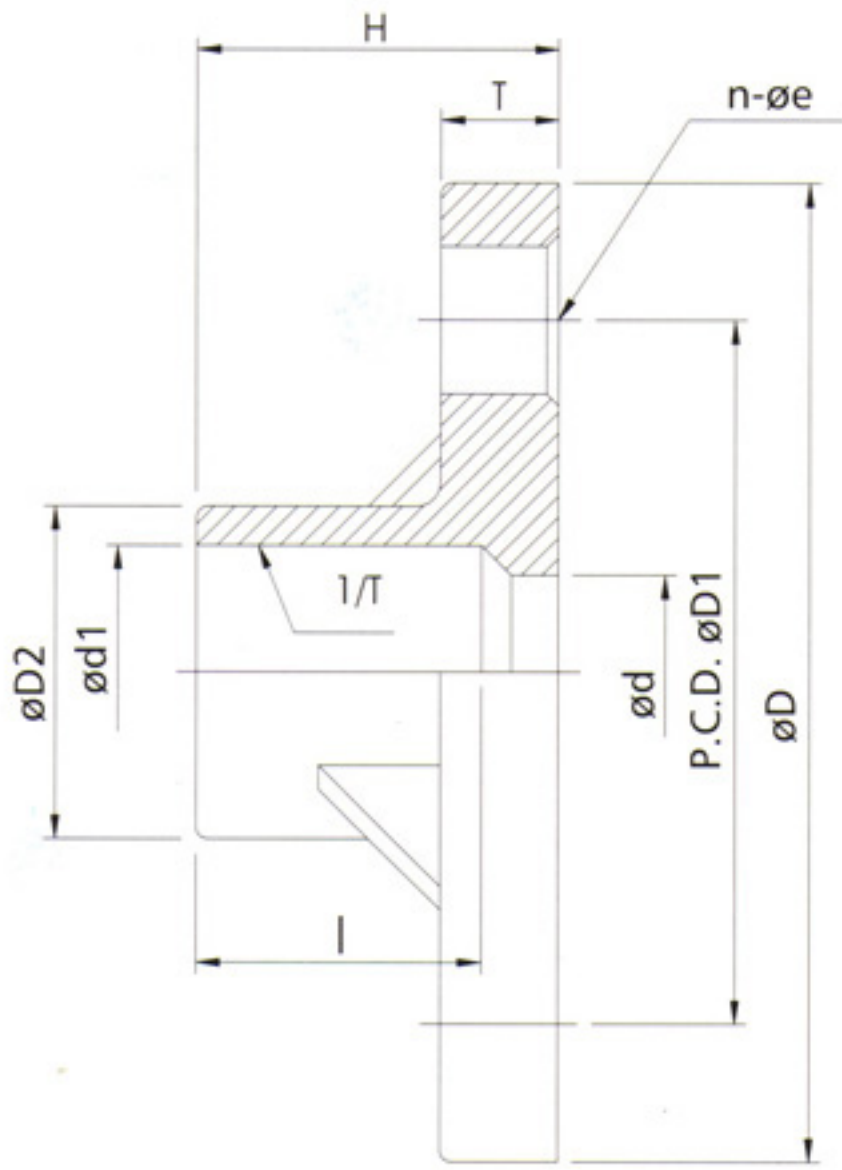
Socket FLANGE



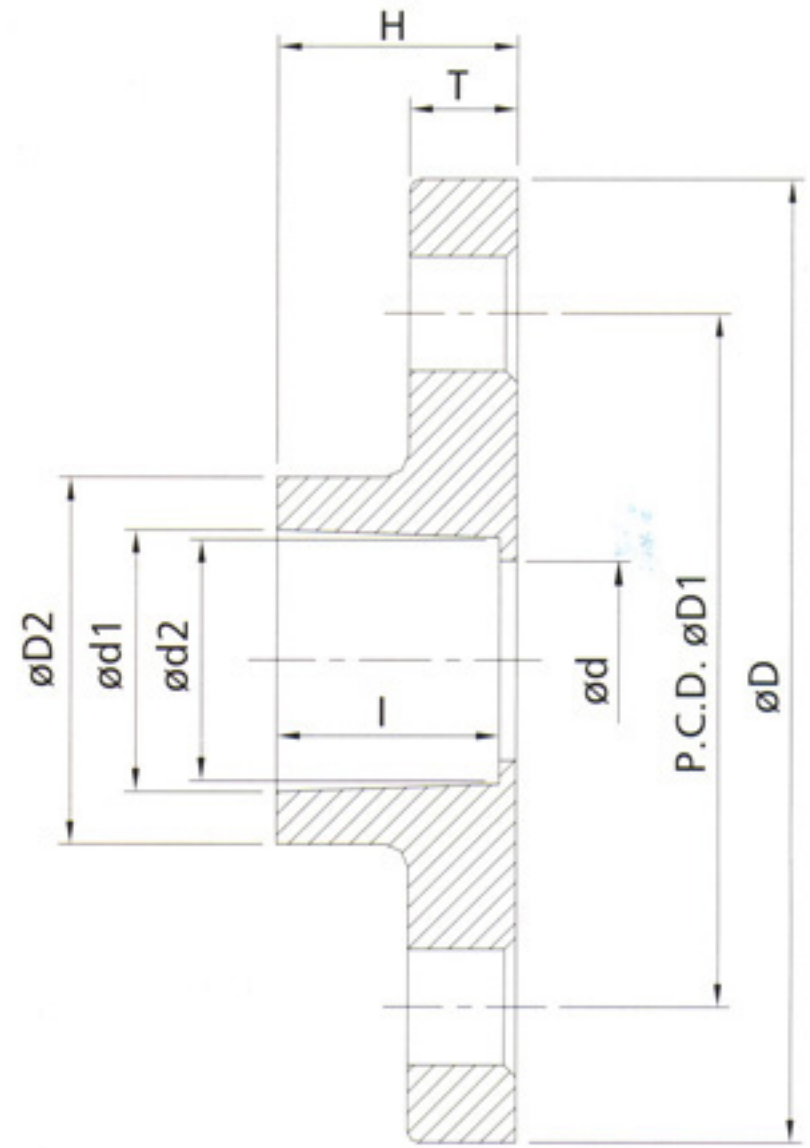
Thread FLANGE



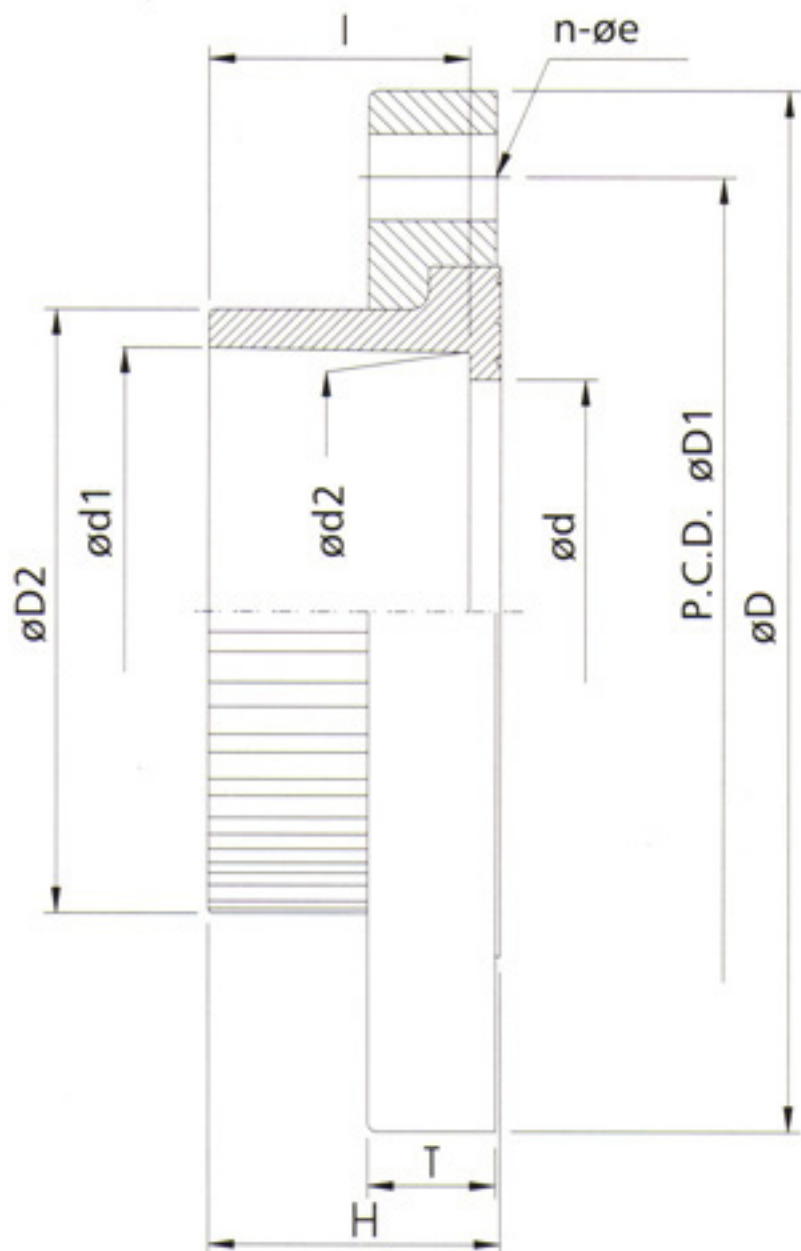
● JIS 10K FLANGE



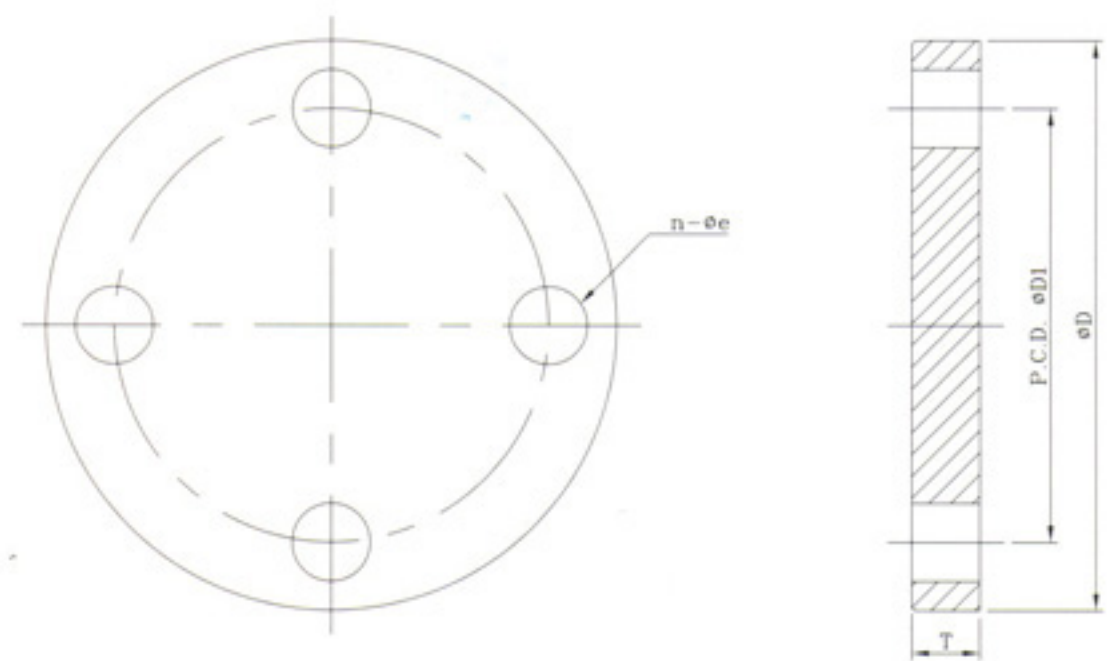
● ANSI 150PSI FLANGE



● ANSI CLASS 150 SCH.80



● BLIND FLANGE



JIS 10K

| SIZE Nom. | 10mm (3/8") | 15mm (1/2") | 20mm (3/4") | 25mm (1") | 32mm (1-1/4") | 40mm (1-1/2") | 50mm (2") | 65mm (2-1/2") | 80mm (3") | 100mm (4") | 125mm (5") | 150mm (6") | 200mm (8") | 250mm (10") | 300mm (12") |
|--------------|----------------|----------------|----------------|--------------|------------------|------------------|--------------|------------------|--------------|---------------|---------------|---------------|---------------|----------------|----------------|
| D2 | 26 | 31 | 35 | 42.5 | 48.5 | 61 | 73 | 90 | 105 | 132 | 158 | 186 | 238 | 289 | 341 |
| D1 | 65 | 70 | 75 | 90 | 100 | 105 | 120 | 140 | 150 | 175 | 210 | 240 | 290 | 355 | 400 |
| D | 90 | 95 | 100 | 125 | 135 | 140 | 155 | 175 | 185 | 210 | 250 | 280 | 330 | 400 | 445 |
| d1 | 18.4 | 22.4 | 26.45 | 32.55 | 38.6 | 48.70 | 60.80 | 76.60 | 89.60 | 114.7 | 140.8 | 166.0 | 217.5 | 267.7 | 318.7 |
| d | 15 | 18 | 22 | 25 | 30 | 41 | 52 | 67 | 78 | 100 | 125 | 146 | 196 | 247 | 298 |
| H | 30 | 35 | 40 | 46 | 50.5 | 61.5 | 71 | 70 | 73 | 93 | 114 | 142 | 161 | 167 | 167 |
| I | 26 | 30 | 35 | 40 | 44 | 55 | 63 | 61 | 64 | 84 | 104 | 132 | 145 | 155 | 155 |
| T | 14 | 14 | 15 | 15 | 16 | 16 | 20 | 22 | 22 | 22 | 24 | 26 | 28 | 30 | 30 |
| n-øe | 4-15 | 4-15 | 4-15 | 4-19 | 4-19 | 4-19 | 4-19 | 4-19 | 8-19 | 8-19 | 8-23 | 8-23 | 12-23 | 12-25 | 16-25 |
| 1/T | 1/30 | 1/34 | 1/34 | 1/34 | 1/34 | 1/37 | 1/37 | 1/48 | 1/49 | 1/56 | 1/58 | 1/63 | 1/50 | 1/55 | 1/55 |

ANSI 150PSI FLANGE (one piece)

| SIZE Nom. | 15mm (1/2") | 20mm (3/4") | 25mm (1") | 32mm (1-1/4") | 40mm (1-1/2") | 50mm (2") | 65mm (2-1/2") | 80mm (3") | 100mm (4") |
|--------------|----------------|----------------|--------------|------------------|------------------|--------------|------------------|--------------|---------------|
| D2 | 33 | 40 | 48 | 57 | 65 | 78 | 92 | 109 | 139 |
| D1 | 60 | 70 | 79 | 89 | 98 | 121 | 140 | 152 | 191 |
| D | 89 | 98 | 108 | 117 | 127 | 152 | 178 | 191 | 229 |
| d2 | 21.23 | 26.57 | 33.27 | 42.04 | 48.11 | 60.17 | 72.85 | 88.70 | 114.07 |
| d1 | 21.54 | 26.87 | 33.65 | 42.42 | 48.56 | 60.63 | 73.38 | 89.31 | 114.76 |
| H | 25 | 29 | 31.7 | 35 | 38 | 41.3 | 47.6 | 50.8 | 61 |
| I | 22.22 | 25.4 | 28.58 | 31.75 | 34.93 | 38.1 | 44.45 | 47.63 | 57.15 |
| T | 11.1 | 12.7 | 14.3 | 16 | 17.5 | 19.1 | 23.8 | 25.4 | 28.6 |
| n-øe | 4-16 | 4-16 | 4-16 | 4-16 | 4-16 | 4-19 | 4-19 | 4-19 | 8-19 |
| ød | 15 | 25 | 31 | 40 | 46 | 57.5 | 70 | 78 | 111.5 |

ANSI CLASS 150 SCH.80 (van stone)

| SIZE Nom. | 50mm (2") | 65mm (2-1/2") | 80mm (3") | 100mm (4") | 150mm (6") | 200mm (8") | 250mm (10") | 300mm (12") | 350mm (14") | 400mm (16") |
|--------------|--------------|------------------|--------------|---------------|---------------|---------------|----------------|----------------|----------------|----------------|
| D1 | 152 | 178 | 192 | 229 | 284 | 343 | 406 | 481 | 533 | 600 |
| D2 | 121 | 140 | 152 | 191 | 241 | 298 | 362 | 432 | 476 | 540 |
| D3 | 76 | 92 | 108 | 133 | 191 | 238 | 310 | 364 | 395 | 452 |
| d | 51 | 68 | 77 | 102 | 156 | 204 | 256 | 307 | 332 | 384 |
| d1 | 60.17 | 72.85 | 88.7 | 114.07 | 168 | 218.7 | 272.67 | 323.47 | 354.84 | 405.67 |
| d2 | 60.63 | 73.38 | 89.31 | 114.76 | 168.83 | 219.84 | 273.81 | 324.61 | 356.49 | 407.54 |
| H | 43 | 49 | 54 | 64 | 85 | 118 | 150 | 191 | 195 | 220 |
| T | 20 | 24 | 26 | 28 | 32 | 36 | 42 | 42 | 50.8 | 60 |
| I | 38.1 | 44.45 | 47.63 | 57.15 | 76.2 | 102 | 123 | 165 | 179 | 204 |
| n-øe | 4-19 | 4-19 | 4-19 | 8-19 | 8-22 | 8-22 | 12-25 | 12-25 | 12-29 | 16-29 |

BLIND FLANGE

| SIZE Nom. | 15mm (1/2") | 20mm (3/4") | 25mm (1") | 30mm (1-1/4") | 40mm (1-1/2") | 50mm (2") | 65mm (2-1/2") | 80mm (3") | 100mm (4") | 125mm (5") | 150mm (6") | 200mm (8") | 250mm (10") | 300mm (12") | |
|--------------|----------------|----------------|--------------|------------------|------------------|--------------|------------------|--------------|---------------|---------------|---------------|---------------|----------------|----------------|-------|
| ANSI | D | 89 | 98 | 108 | 117 | 127 | 152 | 178 | 191 | 229 | - | 284 | 343 | 406 | 481 |
| | D1 | 60 | 70 | 79 | 89 | 98 | 121 | 140 | 152 | 191 | - | 241 | 298 | 362 | 432 |
| | T | 11.1 | 12.7 | 14.3 | 16 | 17.5 | 19.1 | 23.8 | 25.4 | 28.6 | - | 26 | 28 | 30 | 30 |
| JIS | D | 95 | 100 | 125 | 135 | 140 | 155 | 175 | 185 | 210 | 250 | 280 | 330 | 400 | 445 |
| | D1 | 70 | 75 | 90 | 100 | 105 | 120 | 140 | 150 | 175 | 210 | 240 | 290 | 355 | 400 |
| | T | 14 | 15 | 15 | 16 | 16 | 20 | 22 | 22 | 22 | 24 | 26 | 28 | 30 | 30 |
| n-øe | ANSI | 4-16 | 4-16 | 4-16 | 4-16 | 4-16 | 4-19 | 4-19 | 4-19 | 8-19 | 8-19 | 8-22 | 8-22 | 12-25 | 12-25 |
| | JIS | 4-15 | 4-15 | 4-19 | 4-19 | 4-19 | 4-19 | 4-19 | 8-19 | 8-19 | 8-23 | 8-23 | 12-23 | 12-25 | 16-25 |